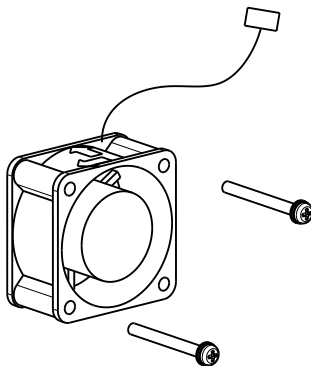




00176054514043

Altivar

Fan Kit VZ3V3105



⚠ ⚠ DANGER

HAZARD OF ELECTRIC SHOCK, EXPLOSION, OR ARC FLASH

- Only appropriately trained persons who are familiar with and understand the contents of this manual and all other pertinent product documentation and who have received safety training to recognize and avoid hazards involved are authorized to work on and with this drive system. Installation, adjustment, repair, and maintenance must be performed by qualified personnel.
- The system integrator is responsible for compliance with all local and national electrical code requirements as well as all other applicable regulations with respect to grounding of all equipment.
- Many components of the product, including the printed circuit boards, operate with mains voltage. Do not touch. Use only electrically insulated tools.
- Do not touch unshielded components or terminals with voltage present.
- Motors can generate voltage when the shaft is rotated. Prior to performing any type of work on the drive system, block the motor shaft to prevent rotation.
- AC voltage can couple voltage to unused conductors in the motor cable. Insulate both ends of unused conductors of the motor cable.
- Do not short across the DC bus terminals or the DC bus capacitors or the braking resistor terminals.
- Before performing work on the drive system:
 - Disconnect all power, including external control power that may be present.
 - Place a "Do Not Turn On" label on all power switches.
 - Lock all power switches in the open position.
 - Wait 15 minutes to allow the DC bus capacitors to discharge. The DC bus LED is not an indicator of the absence of DC bus voltage that can exceed 800 Vdc.
 - Measure the voltage on the DC bus between the DC bus terminals (PA/+ and PC/-) using a properly rated voltmeter to verify that the voltage is <42 Vdc.
 - If the DC bus capacitors do not discharge properly, contact your local Schneider Electric representative. Do not repair or operate the product.
- Install and close all covers before applying voltage.

Failure to follow these instructions will result in death or serious injury.

Electrical equipment should be installed, operated, serviced, and maintained only by qualified personnel. No responsibility is assumed by Schneider Electric for any consequences arising out of the use of this product.

© 2018 Schneider Electric. All Rights Reserved.

Pour ATV31C●●● / For ATV31C●●●

Pour ATV212W075N4 / For ATV212W075N4

ATV212WU15N4

ATV212WU15N4

ATV212WU22N4

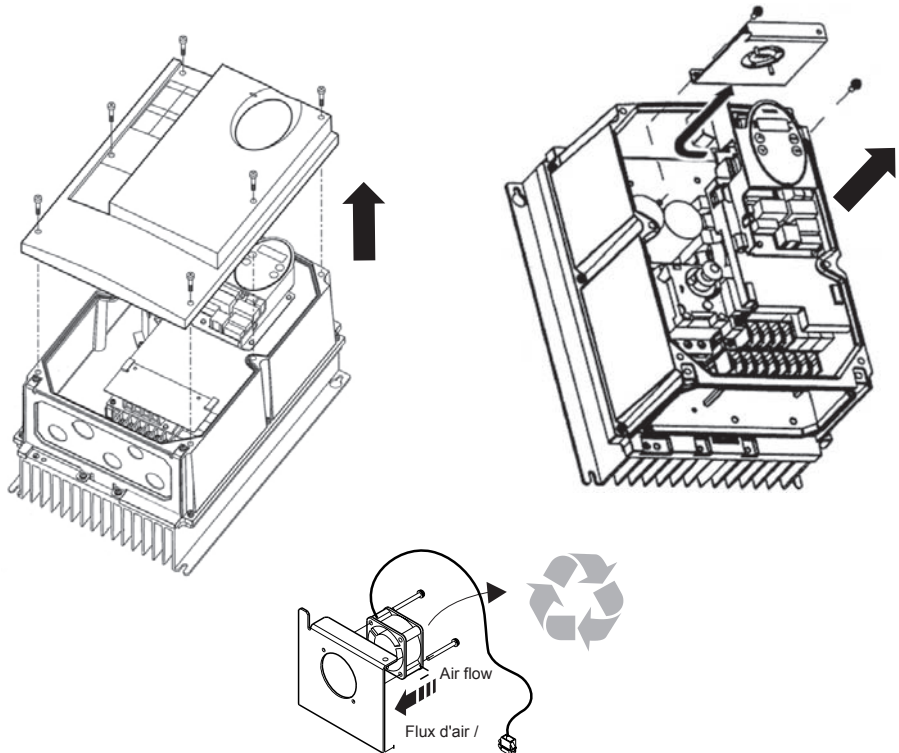
ATV212WU22N4

Démontage du sous-ensemble ventilateur :

- 1) Desserrer les 6 vis qui fixent le couvercle du coffret
Le ventilateur se trouve sous le support clavier.
- 2) Déconnecter le câble du ventilateur.
- 3) Dévisser la vis située dans le puits sous l'afficheur ainsi que la seconde vis à gauche sur le radiateur.
- 4) Faire glisser le sous-ensemble ventilateur sur la gauche et lever l'ensemble.
- 5) Retirer le ventilateur du sous-ensemble et le remplacer par le nouveau.

Dismantling the fan sub-assembly:

- 1) *Unscrew the 6 screws which fix the cover of wall-fixing drive. The fan is under the keyboard support.*
- 2) *Disconnect the cable of the fan.*
- 3) *Unscrew the screw located in the shaft under the display as well as on the left upon the heatsink.*
- 4) *Slip the fan sub-assembly on the left and raise the unit.*
- 5) *Remove the fan from its metal support and replace it by the new.*



Pour ATV31C●●● / For ATV31C●●●

Pour ATV212W075N4 / For ATV212W075N4

ATV212WU15N4

ATV212WU15N4

ATV212WU22N4

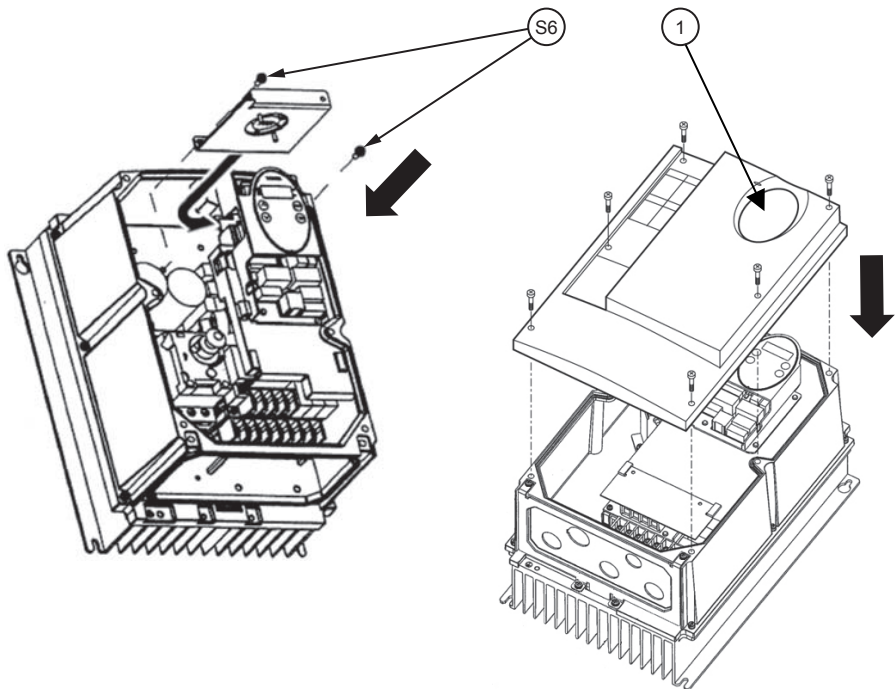
ATV212WU22N4

Remontage du sous-ensemble ventilateur:

- 1) Tenir par la languette gauche le nouveau sous-ensemble ventilateur et le faire glisser dans son emplacement.
- 2) Amorcer les 2 vis (S6) fournies et serrer celles-ci.
- 3) Reconnecter le câble de l'alimentation du nouveau ventilateur.
- 4) Remettre le couvercle du coffret et resserrer les 6 vis. Vérifier le centrage du clavier par rapport à la fenêtre (1).

Reassembling of fan sub-assembly:

- 1) *By the left strip, hold the new fan sub-assembly and make it slipping into its place.*
- 2) *Bait the 2 screws (S6) delivered with the new fan and tighten them.*
- 3) *Reconnect the cable of the new fan.*
- 4) *Put back the cover of wall-fixing drive and tighten the 6 screws and check the right position of the keypad compared to the window (1).*



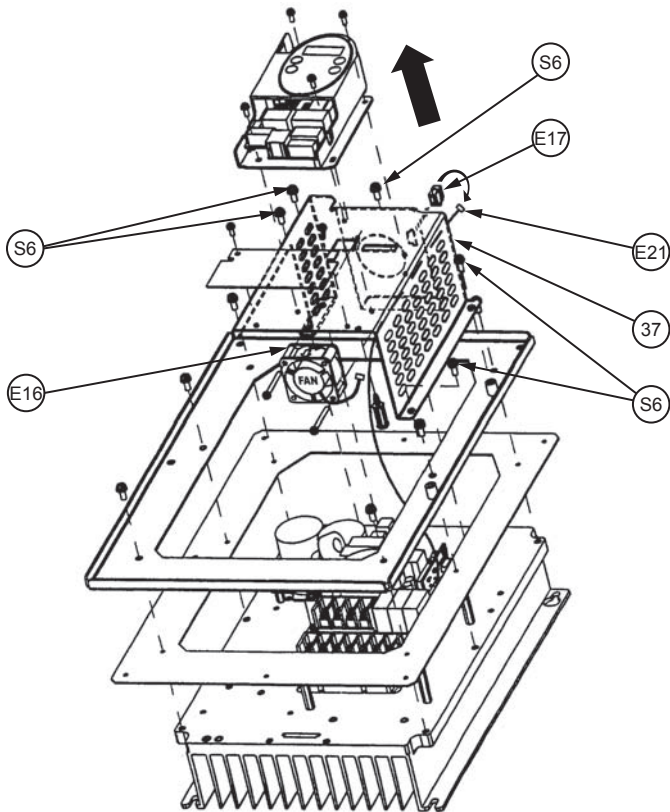
Pour ATV31K●●● / For ATV31K●●●

Démontage du ventilateur défectueux:

- 1) Desserrer les 5 vis (S6) qui fixent la tôle support contrôle (37).
- 2) Basculer la tôle support contrôle (37) sur le côté en apportant une attention particulière à ne pas tirer ou blesser les fils.
- 3) Déconnecter le câble du ventilateur (E21) du connecteur (E17).
- 4) Retirer le ventilateur (E16) défectueux.

Dismantling the defective fan:

- 1) Unscrew the 5 screws (S6) which fix the control support metal sheet (37).
- 2) Tip up the control support metal sheet (37) on one's side. Take care with the wires.
- 3) Disconnect the cable of the fan (E21) from the connector (E17).
- 4) Remove the defective fan (E16).



Pour ATV31K●●● / For ATV31K●●●

Remontage du sous-ensemble ventilateur:

- 1) Connecter le câble du ventilateur (E21) au connecteur (E17).
- 2) Présenter le ventilateur avec la flèche orientée côté électronique ou étiquette fournisseur visible.
- 3) Refixer le nouveau ventilateur (E16) avec les 2 vis (S5) fournies sur la tôle support contrôle (37).
- 4) Rebasculer la tôle support contrôle (37) dans sa position initiale.
- 5) Serrer les 5 vis (S6) qui fixent la tôle support contrôle.

Rassembling of fan sub-assembly:

- 1) Connect the cable (E21) to the connector (E17).
- 2) Present the fan with the engraved arrow oriented to the electronic side or visible label supplier.
- 3) Fix the new fan (E16) with the 2 delivered screws (S5) on the control support metal sheet (37).
- 4) Tip up the control support sheet (37) on its initial position.
- 5) Tighten the 5 screws (S6) which fix the control support sheet.

